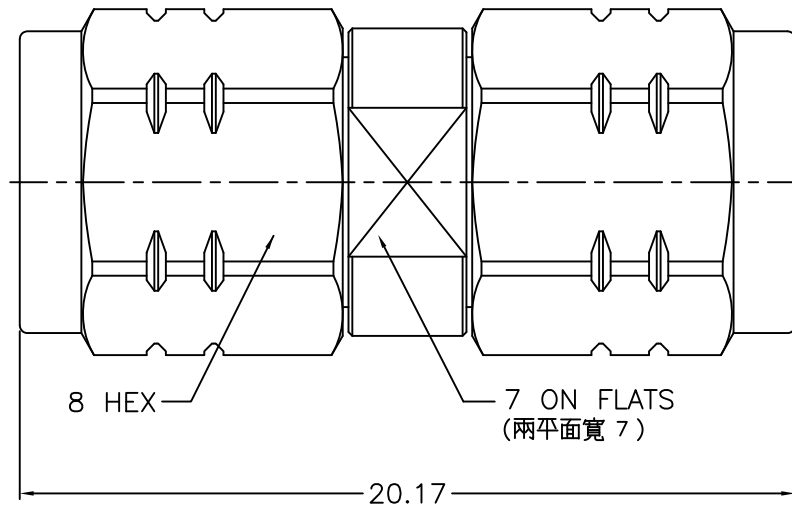


1	2		3	4	5	6	7	8
REVISIONS								
ISS	ZONE	DESCRIPTION\PER REQUEST\DATE						



NOTES: FINISH (PLATING THICKNESS IN MICRO-INCHES)

- 1. BERYLLIUM COPPER
- 2. STAINLESS STEEL
- 3. PASSIVATED
- 4. NICKEL PL. 100 MIN. THICK OVER COPPER PL. 50 MIN. THICK
- 5. GOLD PL. 10 MIN. THICK OVER ELECTROLESS NICKEL PL. 100 MIN. THICK
- 6. ULTEM 1000
- 7. BRASS

RoHS COMPLIANT

DIMENSIONS ARE IN MILLIMETERS										PART NO.		<b>G.L.I.</b>			
UNLESS OTHERWISE SPECIFIED TOLERANCES										APPROVED					
0.5-6 = ±0.2												12-15-'20		1.85mm PLUG TO PLUG ADAPTOR	
6-30 = ±0.4										CHECKED		DATE			
30-120 = ±0.6												12-15-'20		DRAWING NO.	
120-315 = ±1										DRAWN		DATE		185-2071S1-50	
315-1000 = ±1.6										ALAN		12-15-'20		FILE NO. R:\D\DWG\185\2071S1\50	
1000-2000 = ±2.4															
6	SHELL	NOTE 2	NOTE 3												
5	RETAINER RING	NOTE 1	NOTE 4												
4	BODY	NOTE 2	NOTE 3												
3	RING	NOTE 7	NOTE 4												
2	INSULATOR	NOTE 6	NATURAL												
1	CONTACT PIN	NOTE 1	NOTE 5												
NO.	DESCRIPTION	MATERIAL	FINISH	Q'TY	DRAWING NO.	SCALE	5/1	ISSUE	1						

1	2		3	4	5	6	7	8
---	---	--	---	---	---	---	---	---