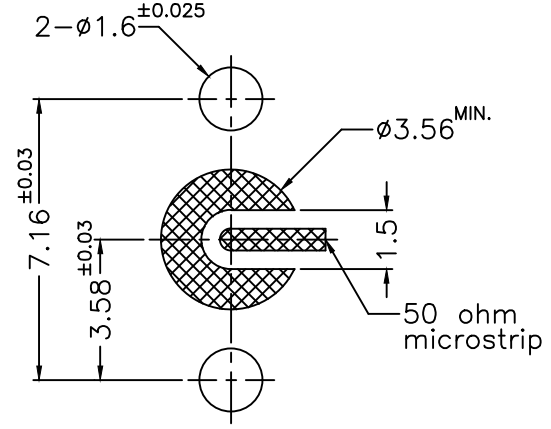
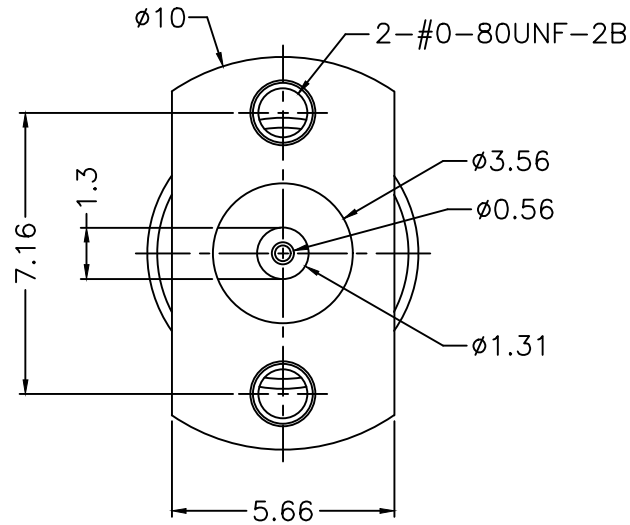
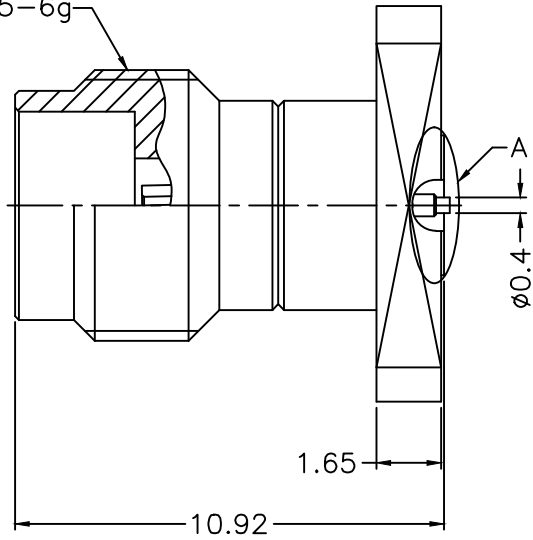
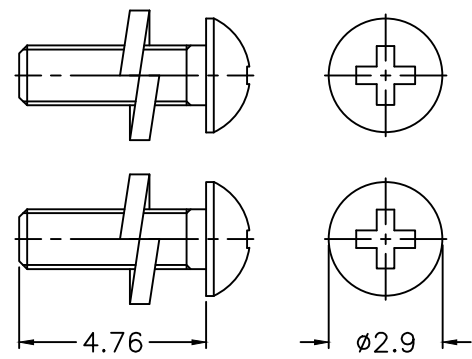


REVISIONS				
ISS	ZONE	DESCRIPTION\PER REQUEST\DATE		

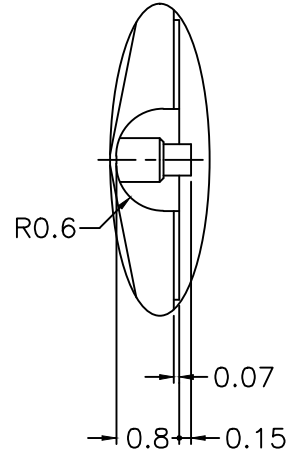
M7XP0.75-6g



PCB MOUNTING PATTERN  
(印刷电路板架設模型)



RoHS COMPLIANT



A DETAIL (10/1)  
(A 詳圖)

- NOTES: FINISH (PLATING THICKNESS IN MICRO-INCHES)
1. STAINLESS STEEL
  2. PASSIVATED
  3. BERYLLIUM COPPER
  4. GOLD PL. 10 MIN. THICK OVER ELECTROLESS NICKEL PL. 100 MIN. THICK
  5. PTFE

NO.	DESCRIPTION	MATERIAL	FINISH	Q'TY	DRAWING NO.
5	WASHER	NOTE 1	NOTE 2		
4	BOLT	NOTE 1	NOTE 2		
3	CONTACT PIN	NOTE 3	NOTE 4		
2	INSULATOR	NOTE 5	NATURAL		
1	BODY	NOTE 1	NOTE 2		

DIMENSIONS ARE IN MILLIMETERS			
UNLESS OTHERWISE SPECIFIED TOLERANCES			
0.5-6	=	±0.2	
6-30	=	±0.4	
30-120	=	±0.6	
120-315	=	±1	
315-1000	=	±1.6	
1000-2000	=	±2.4	

PART NO.	
APPROVED	DATE 10-07-'21
CHECKED	DATE 10-07-'21
DRAWN ALAN	DATE 10-07-'21

<b>G.L.I.</b>	
TITLE	2.4mm SOLDERLESS PCB COMPRESSION MOUNT JACK
DRAWING NO.	24-6551F3-50
FILE NO.	R:\D\DWG\24\6551F3\50