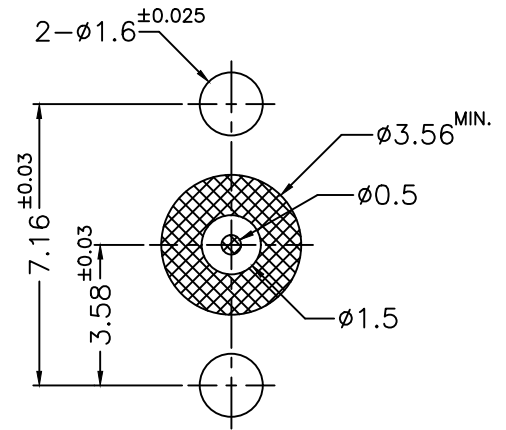
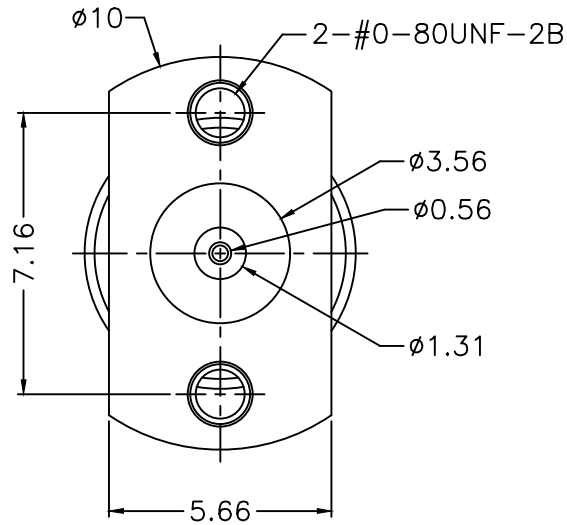
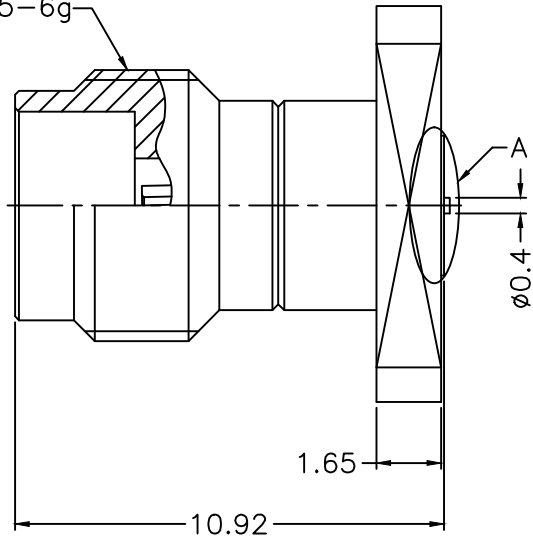
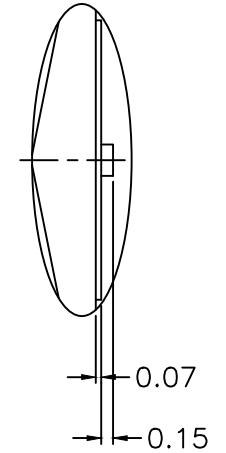
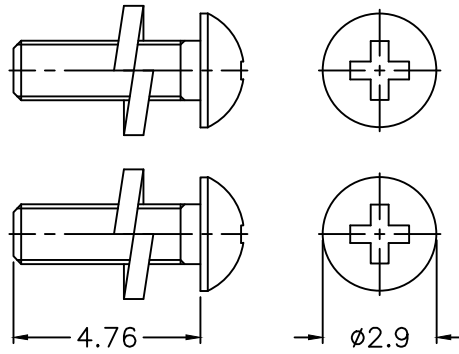


REVISIONS				
ISS	ZONE	DESCRIPTION\PER REQUEST\DATE		

M7XP0.75-6g



PCB MOUNTING PATTERN
(印刷电路板架设模型)



A DETAIL (10/1)
(A 詳圖)

NOTES: FINISH (PLATING THICKNESS IN MICRO-INCHES)

1. STAINLESS STEEL
2. PASSIVATED
3. BERYLLIUM COPPER
4. GOLD PL. 10 MIN. THICK OVER ELECTROLESS NICKEL PL. 100 MIN. THICK
5. PTFE

RoHS COMPLIANT

DIMENSIONS ARE IN MILLIMETERS										PART NO.		G.L.I.			
UNLESS OTHERWISE SPECIFIED TOLERANCES										APPROVED				DATE	
5	WASHER	NOTE 1	NOTE 2			0.5-6 = ±0.2								TITLE	2.4mm SOLDERLESS PCB COMPRESSION MOUNT JACK
4	BOLT	NOTE 1	NOTE 2			6-30 = ±0.4								DRAWING NO.	24-6551F4-50
3	CONTACT PIN	NOTE 3	NOTE 4			30-120 = ±0.6								FILE NO.	R:\D\DWG\24\6551F4\50
2	INSULATOR	NOTE 5	NATURAL			120-315 = ±1									
1	BODY	NOTE 1	NOTE 2			315-1000 = ±1.6									
	NO.	DESCRIPTION	MATERIAL	FINISH	Q'TY	DRAWING NO.	SCALE	5/1	ISSUE	1	DRAWN ALAN		DATE 10-07-'21		