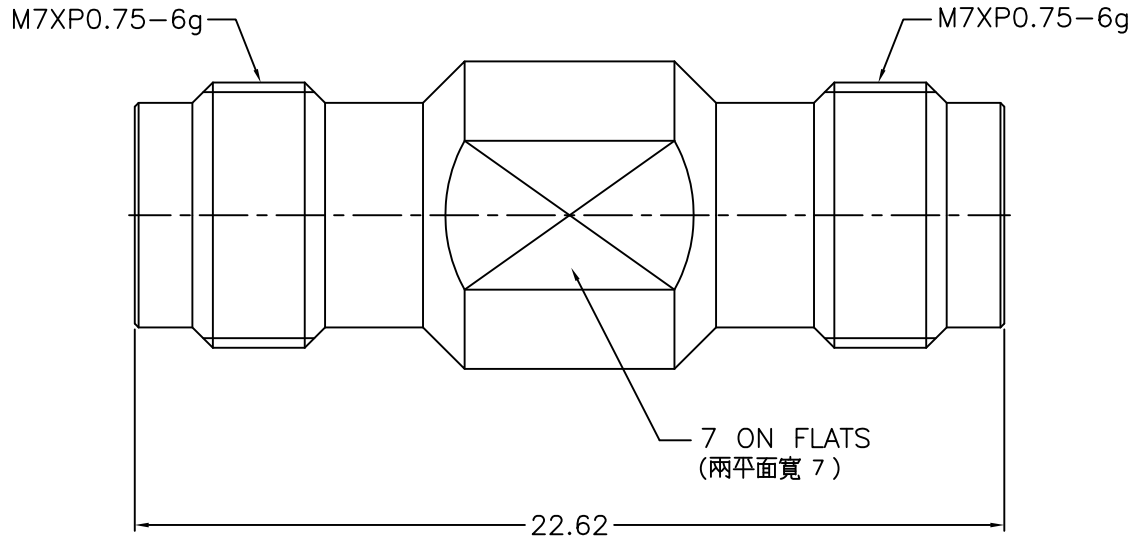


1	2		3	4	5	6	7	8
REVISIONS								
ISS	ZONE	DESCRIPTION\PER REQUEST\DATE						



NOTES: FINISH (PLATING THICKNESS IN MICRO-INCHES)

1. BRASS
2. BERYLLIUM COPPER
3. NICKEL PL. 100 MIN. THICK OVER COPPER PL. 50 MIN. THICK
4. GOLD PL. 10 MIN. THICK OVER NICKEL PL. 50 MIN. THICK OVER COPPER PL. 50 MIN. THICK
5. ULTEM 1000
6. STAINLESS STEEL
7. PASSIVATED

RoHS COMPLIANT

						DIMENSIONS ARE IN MILLIMETERS				PART NO.		G.L.I.					
						UNLESS OTHERWISE SPECIFIED TOLERANCES				APPROVED						DATE	
						0.5-6 = ±0.2						12-03-'20		TITLE			
						6-30 = ±0.4								2.4mm JACK TO JACK ADAPTOR			
						30-120 = ±0.6				CHECKED		DATE		DRAWING NO.			
						120-315 = ±1						12-03-'20		24-7071S1-50			
						315-1000 = ±1.6				DRAWN		DATE		FILE NO.			
						1000-2000 = ±2.4				ALAN		12-03-'20		R:\D\DWG\24\7071S1\50			
						SCALE 5/1 ISSUE 1											

4	BODY	NOTE 6	NOTE 7	1	24-7071S1-4
3	RING	NOTE 1	NOTE 3	1	24-2071S1-3
2	INSULATOR	NOTE 5	NATURAL	1	100-24F-292M -2-50U
1	CONTACT PIN	NOTE 2	NOTE 4	1	24-7071S1-1
NO.	DESCRIPTION	MATERIAL	FINISH	Q'TY	DRAWING NO.